

inter·noise 2023
CHIBA, GREATER TOKYO 20-23 AUGUST

**INTER-NOISE 2023,
the 52nd International Congress and
Exposition
on Noise Control Engineering**

**EXHIBITS / SPONSORSHIP
OUTLINE**

Inter-Noise 2023 Organizing Committee

1. CONFERENCE :

Inter-Noise 2023

the 52nd International Congress and Exposition on Noise Control Engineering

2. THEMA :

Quieter Society with Diversity & Inclusion

3. ORGANIZER :

Inter-Noise 2023 Organizing Committee

CO-SPONSORED by :

The Institute of Noise Control Engineering of Japan, INCE – Japan Acoustical Society of Japan, ASJ.

The International Institute of Noise Control Engineering (I-INCE)

SUPPORTED by :

Ministry of Land, Infrastructure, Transport and Tourism

Ministry of the Environment

Japan National Tourism Organization

Chiba prefecture

Chiba city

Chiba Convention Bureau and International Center (CCB-IC)

COOPERATED by :

Architectural Institute of Japan

Gas Turbine Society of Japan

Information Processing Society of Japan

Japan Association of Environment Assessment

Japan Ergonomics Society

Japan Environmental Measurement and Chemical Analysis Association

Japan Society of Civil Engineers

Japan Society for Impact Assessment

Japan Society for Occupational Health

Organization of Airport Facilitation

Society of Automotive Engineers of Japan

SMART SOUND DESIGN SOCIETY

Japan Measuring Instruments Federation

The Engineering Academy of Japan

The Institute of Electrical Engineers of Japan

The Institute of Electronics, Information and Communication Engineers

The Japan Refrigeration and Air Conditioning Industry Association

The Japan Society for Aeronautical and Space Sciences

The Japan Society of Applied Physics

The Japan Society of Mechanical Engineers

The Japanese Psychological Association

The Society of Heating, Air-Conditioning and Sanitary Engineers of Japan

The Society of Instrument and Control Engineers

Turbomachinery Society of Japan

4. VENUE :

MAKUHARI Messe

2 Chome-1 Nakase, Mihama Ward, Chiba, 261-0023

<https://www.m-messe.co.jp/>

5. SCHEDULE (Tentative) :

August 20th (Sun) ~ August 23rd (Wed) , 2023

Date	AM	PM	Night
Aug. 20 (Sun)	Registration TSG Meeting	I-INCE General Meeting Opening Plenary lecture	Welcome Reception Chair briefing
Aug. 21 (Mon)	Keynote Special session, Oral session Exhibition	Keynote Special session, Oral session Exhibition	
Aug. 22 (Tue)	Keynote Special session, Oral session Exhibition	Keynote Special session, Oral session Exhibition	Banquet
Aug. 23 (Wed)	Special session Oral session Exhibition	Plenary lecture Special session, Oral session Exhibition Closing	Farewell Reception

6. PROSPECTIVE PARTICIPANTS :

Overseas 400 attendees (Accompany 40 attendees)

Domestic 600 attendees (Accompany 10 attendees)

Total 1,000 attendees (Accompany 50 attendees)

■ Number of booths: **Basic booth (A): 44 booths**

■ Application Start: **Jan 11th, 2022**

■ Application Deadline: **Jun 30th, 2023**

* Should available booth numbers be reached, we may close applications before the deadline.

■ Exhibition Fee:

Basic booth (A) : 300,000 JPY (unit price) per booth (W3000×D2000×H2500).
330,000 JPY (consumption tax included)

■ The charge for a booth includes:

1. Exhibitor badge (certificate for entry to the exhibition area): 2 badges

Note: You cannot enter the lecture area and banquet hall with just the badge.

If you want to attend the conference programs, please register as a participant.

2. Power outlets (100 V, grounded): 2 outlets, up to 500 W in total

3. Rear panel and side panels

4. Company nameplate

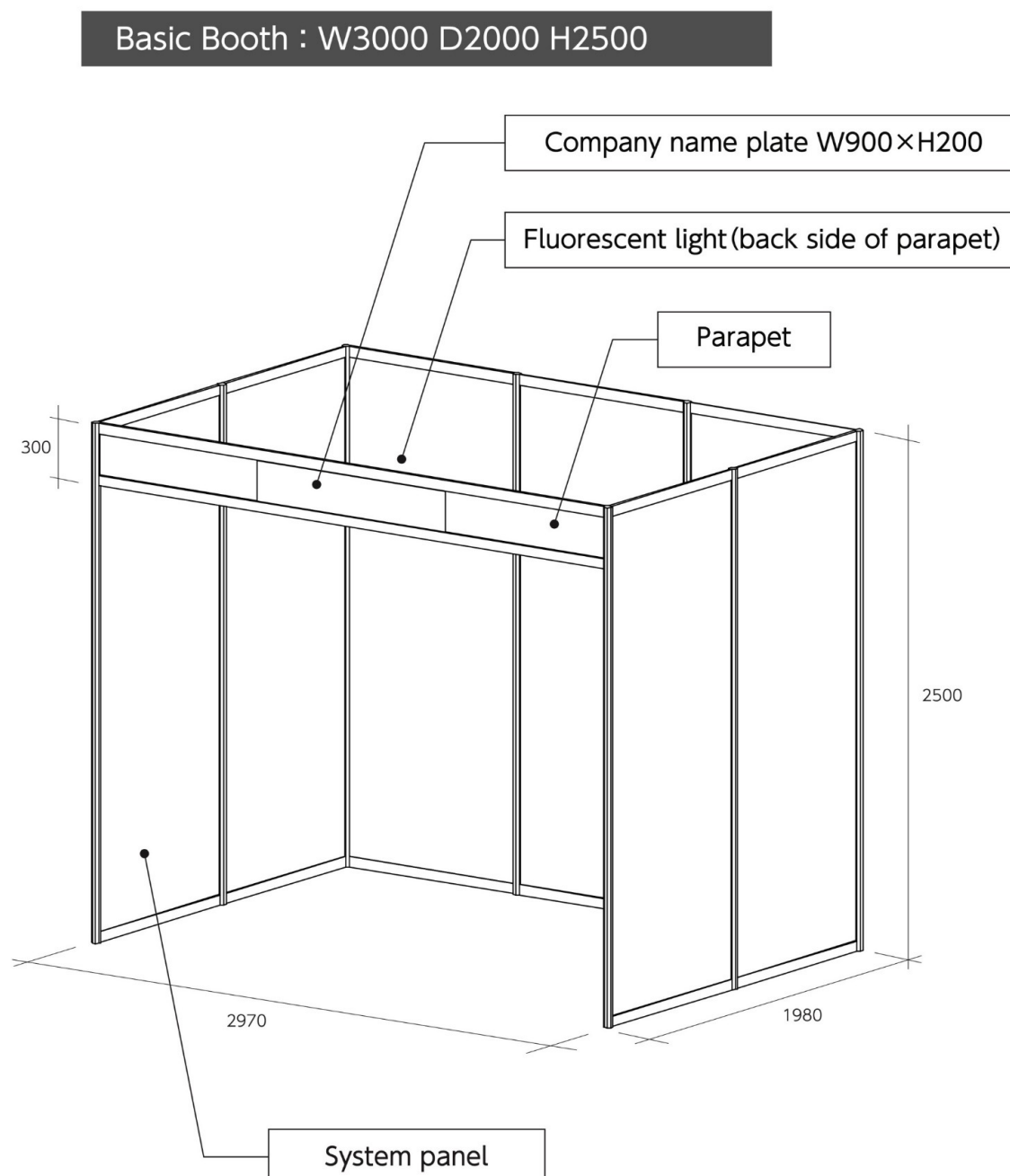
5. Reception Counter (W900×D450×H750)

6. Round Table (φ600×H700)

7. Stand Chair x 4

8. Dust box. (φ240×H280)

Booth Image



Note: Please note that you cannot withdraw your application once you submit the application form and the booth fee **will not be refunded** unless the organizer recognizes the reason for cancellation as a force majeure.

■ Venue :

MAKUHARI Messe Convention Hall

■ Exhibition schedule (tentative) :

Exhibit Installation: August 20 (Sun), 2023, 13:00 – 18:00

Exhibit Hours:
August 20 (Sun), 2023, 18:00 – 20:00
August 21 (Mon), 2023, 8:00 – 17:00
August 22 (Tue), 2023, 8:00 – 17:00
August 23 (Wed), 2023, 8:00 – 13:00

Exhibit Teardown: August 23 (Wed), 2023, 14:00 – 17:00

This schedule is subject to change. The final detailed schedule will be announced later.

■ Application method :

Please fill out the application form for exhibition and send it to the secretariat (inter-noise2023@ig-online.jp) by e-mail by the deadline.

■ Payment of the booth fee :

Once the booth layout is finalized, we will send you the bill. Please pay the amount into the specified account (indicated on the statement) within 2 months of receipt of the bill. Please pay the bank transfer fee.

■ Allocation of space :

While booths will basically be allocated in the order of acceptance of application in each category, companies or organizations that apply for more booths will be prioritized. You will be asked to indicate your preferred booth position on the application form, but please note in advance that the secretariat will consult with you for adjustment if your preferred booth has already been assigned.

Notice: Booth allocation will be determined from the end of April 2023.

■ Decorations and equipment rentals :

Decorations and equipment not included in each booth will incur charges. Our official contractors are able to provide your booth with decorations and rental equipment for a fee. We will notify you of the details after the application is completed.

■ Cancellation of application for exhibition :

Please note that you cannot withdraw your application once you submit the application form for exhibition and the booth fee **will not be refunded** unless the secretariat recognizes the reason for cancellation as a force majeure.

■ About Logistics :

All packages sent to the exhibition will be collectively managed by a designated logistics company throughout the exhibition period. Freight charges will vary depending on the amount of cargo, the number of cartons, weight or the transportation area. Estimation cost will be calculated by each case. Please contact us.

【Contact】

Secretariat of Inter-Noise 2023

E-mail : inter-noise2023@ig-online.jp

Secretariat of Inter-Noise 2023 : Inter Group

Kyodotsushin Kaikan 4F, 2-2-5, Toranomom, Minato-ku, Tokyo, 105-0001

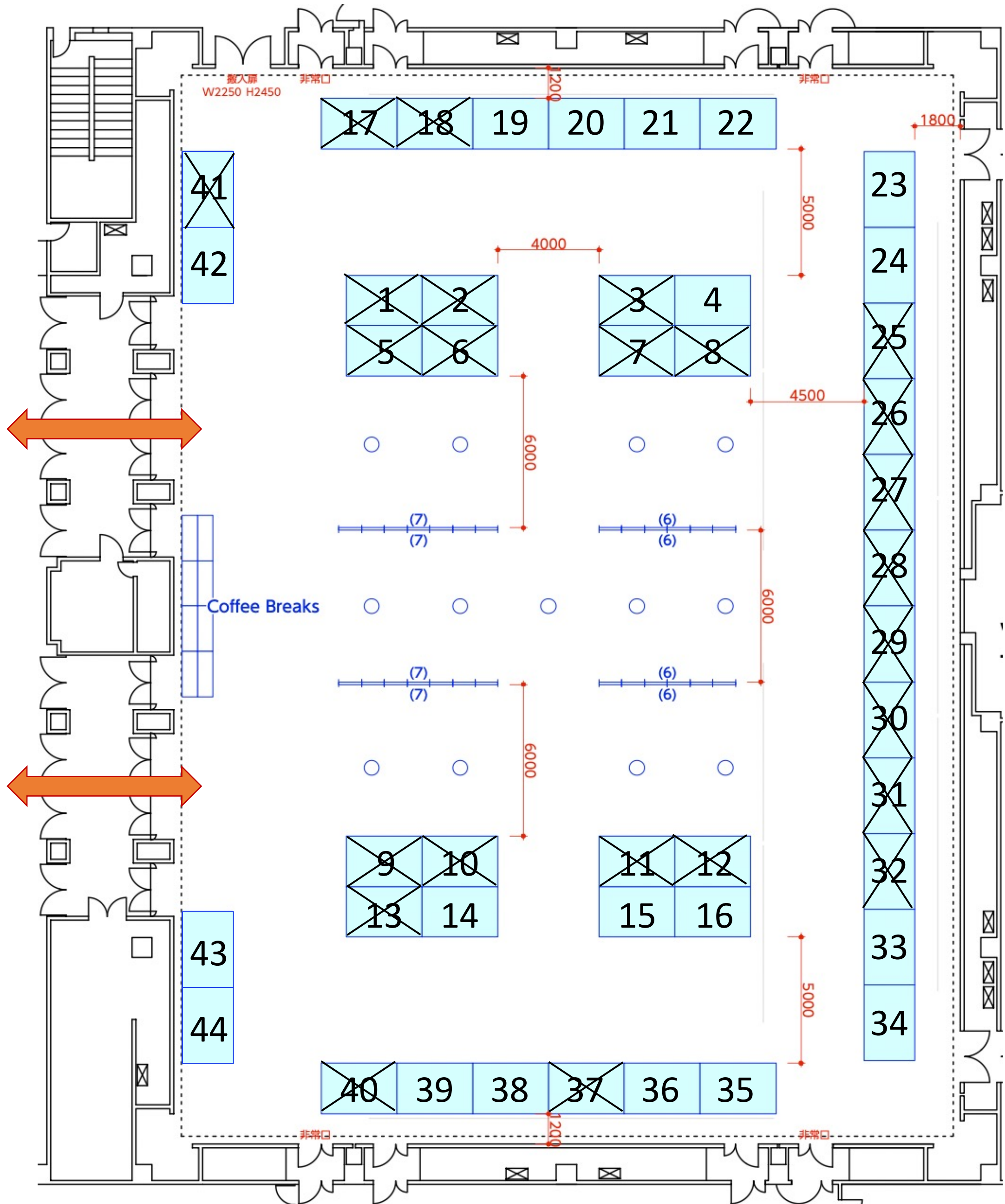
Official Website <https://internoise2023.org/>

■ Floor plan (booth layout) (draft)

Please be informed that the layout may change depending on the number of applicants.

MAKUHARI Messe 2F Convention Hall

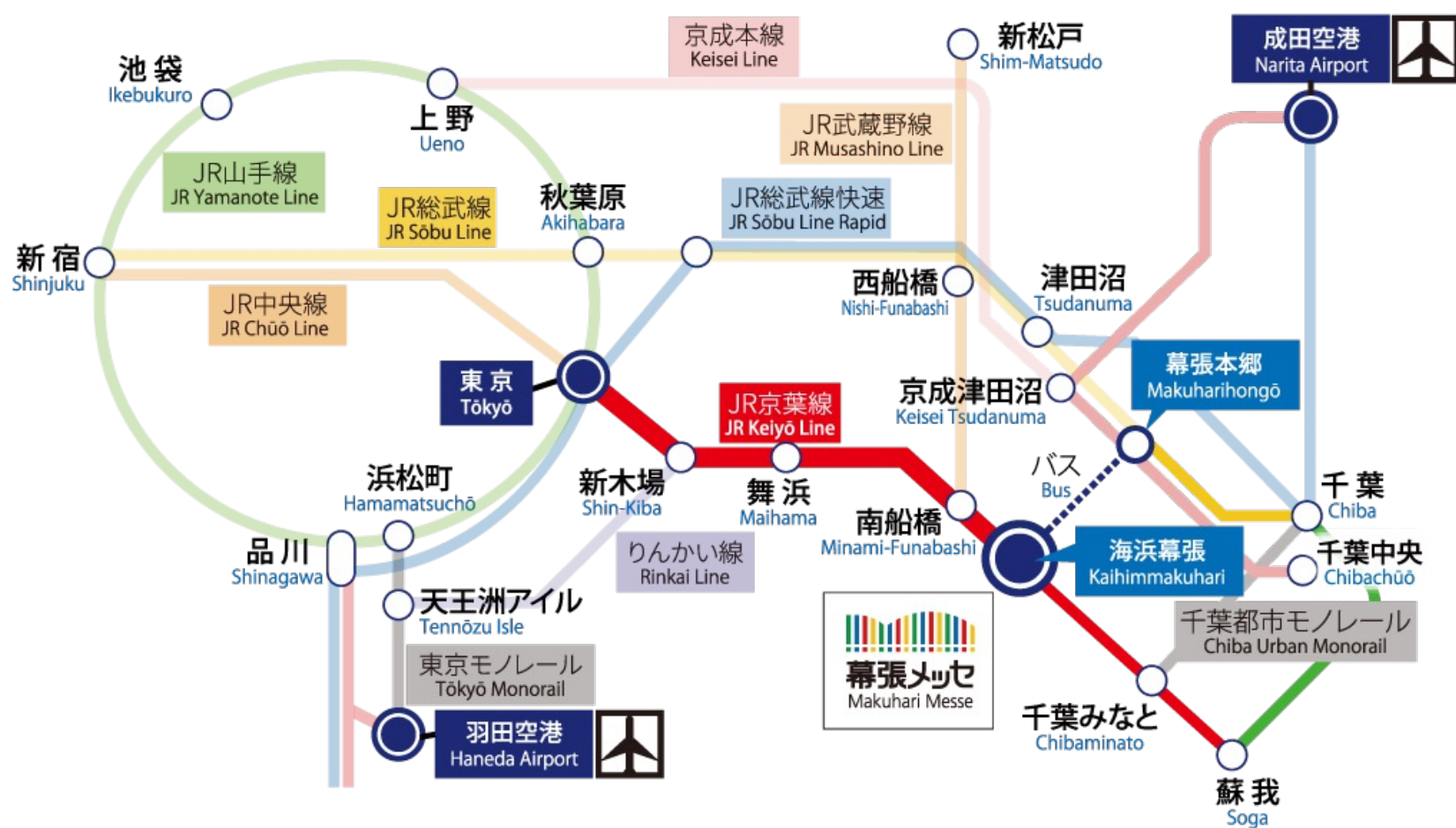
Basic Booth (A) : booth (W3000×D2000×H2500)



■ Venue Information

MAKUHARI Messe 2F
Convention Hall

2 Chome-1 Nakase,
Mihama Ward, Chiba,
JAPAN ZIP 261-0023



By Train

Approx. 40 minutes from central Tokyo or Haneda Airport; approx. 5 minutes from Wangan Narashino Interchange (Higashi Kanto Expressway) or Makuhari Interchange (Keiyo Expressway)

- Approx. 30 minutes from Narita Airport, approx. 5 minutes from Wangan Chiba Interchange (Higashi Kanto Expressway)

By Car

- Approx. 40 minutes from central Tokyo or Haneda Airport; approx. 5 minutes from Wangan Narashino Interchange (Higashi Kanto Expressway)
- Approx. 30 minutes from Narita Airport, approx. 5 minutes from Wangan Chiba Interchange (Higashi Kanto Expressway)

Platinum Level (Available slots 2) **2,000,000JPY** [unit price]
2,200,000JPY [consumption tax included]

- Company Logo [Big size] on Official Website (Hyperlinked)
- 1 page of Advertisement on Program (Booklet)
- Company Logo on information sign board at venue
- Company Logo printing on name strap / tag
- Company Logo printing [Big size] on congress bag
- Basic booth(A): 2 booths including Exhibitor badge: 4 badges
- Streaming promotion video on screen at venue.

Gold Level (Available slots 6) **1,000,000JPY** [unit price]
1,100,000JPY [consumption tax included]

- Company Logo [Middle size] on Official Website (Hyperlinked)
- ½ page of Advertisement on Program (Booklet)
- Company Logo on information sign board at venue
- Company Logo printing [Middle size] on congress bag
- Basic booth(A): 1 booth including Exhibitor badge: 2 badges
- Streaming promotion video on screen at venue

Silver Level **350,000JPY** [unit price]
350,000JPY [consumption tax included]

- Company Logo [Small size] on Official Website (Hyperlinked)
- ¼ page of Advertisement on Program (Booklet)
- Streaming promotion video on screen at venue

Contributor Level (per each selection) **200,000JPY** [unit price]
220,000JPY [consumption tax included]

*Multiple selection allowed.

*First come, first served

- Company Logo printing on non-woven mask
- Company Logo printing on hand sanitizer
- Company Logo on Poster board
- Company Logo printing on Program (Booklet)
- Company Logo printing on promotional giveaway (pen, memo pad, or etc.)
- Streaming promotion video on screen at venue.
- Sponsoring for Young Professionals Breakfast. (Tentative date: Aug 21st 7:00-8:00 JST)
Make presentation of the company, overview of products / services (2 mins.)
or streaming promotion video at the Young Professionals Breakfast.

*More selections are under consideration.

※ Price display: Consumption tax is included.

※ Should available numbers be reached, we may close applications before the deadline. 9

■ **Application Start:** Dec 1st , 2022

■ **Application Deadline:** Jun 30th , 2023

■ **Application method**

Please fill out the application form for sponsorship and send it to the secretariat (inter-noise2023@ig-online.jp) by e-mail by **the deadline**.

■ **Allocation of space for Platinum sponsor / Gold sponsor and exhibitors**

While booths will basically be allocated in the order of acceptance of application in each category including equipment exhibition, Platinum sponsor or organizations that apply for more booths will be prioritized. You will be asked to indicate your preferred booth position on the application form, but please note in advance that the secretariat will consult with you for adjustment if your preferred booth has already been assigned.

【Contact】

Secretariat of Inter-Noise 2023

E-mail : inter-noise2023@ig-online.jp

Secretariat of Inter-Noise 2023 : Inter Group

Kyodotsushin Kaikan 4F, 2-2-5, Toranomom, Minato-ku, Tokyo, 105-0001

Official Website <https://internoise2023.org/>